



## COREHOG MOUNTING INSTRUCTIONS

For Toro Greensmaster 1000, Jacobsen PGM 22 and John Deere 220A:

1. Remove the catch basket mounting horns from the greens mower.
2. Attach the Corehog Left and Right Mount Brackets to the mower frame rails, reusing the catch basket mounting hardware per Figure 1.
3. Tip the front of the mower off the ground approximately ½" and shim to maintain this position.
4. Place the Blade Assembly in front of the mower, against the Left and Right Mount Brackets. The Blade Assembly should be flush on the ground.
5. Attach the Blade Assembly to the Left and Right Mounting Brackets using the included hardware per Figure 2.
6. Tighten all mounting hardware to prevent movement of the Corehog during use.

For John Deere 220:

1. Remove the hardware used to fasten the front roller height adjustment assembly to the greens mower frame rail from LEFT SIDE ONLY.
2. Attach the Corehog Left Mount Bracket to the mower frame rail, reusing the front roller height adjustment assembly hardware per Figure 1.
3. Remove the hardware and attach the Right Mount Bracket using the same method as used for the Left Bracket in steps 1 and 2.
4. Place the Blade Assembly in front of the mower, against the Left and Right Mount Brackets. The Blade Assembly should be flush on the ground.
5. Attach the Blade Assembly to the Left and Right Mounting Brackets using the included hardware per Figure 2.
6. Tighten all mounting hardware to prevent movement of the Corehog during use.

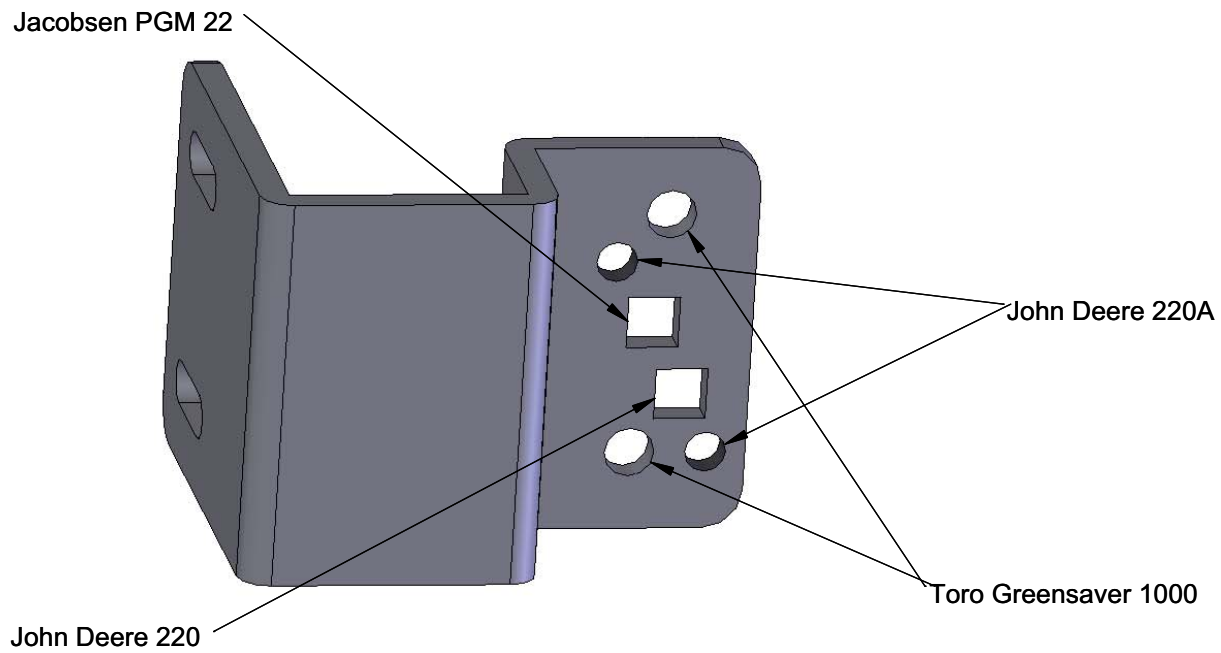


FIGURE 1

Note: Brackets are mounted against the outside of the mower frame rails for Toro Greensaver 1000 applications and against the inside of the frame rails for all other applications.

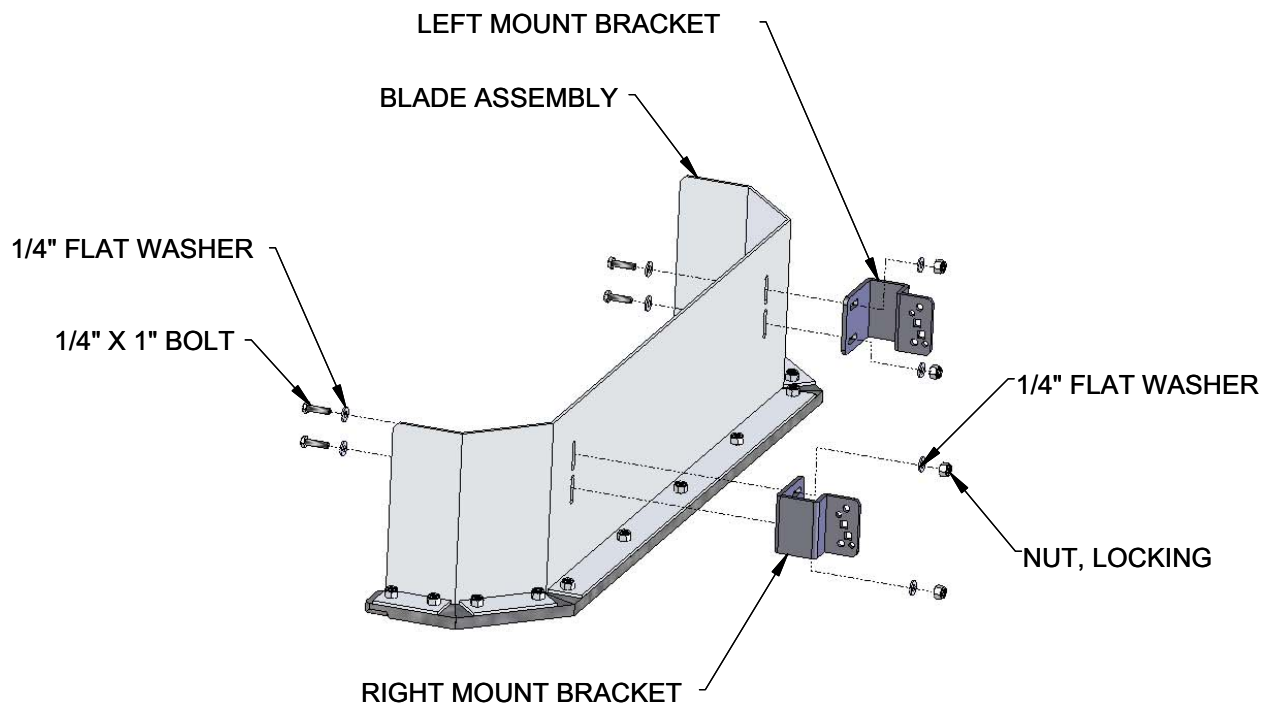


FIGURE 2